

FR2 Automatic

Automatic barrel cleaner for the simultaneous cleaning of two barrels (225/228/300 L.) on a rack. Load the barrels using a forklift, press the Start button - the rest is automatic.

- Automatic rotation of the barrels, bung hole detection and insertion of the cleaning heads
- Use cold/hot water and steam
- Fully programmable, touch screen
- Integrated high pressure pump



What needs to be connected to the FR2 Automatic:

- Cold water (cold water cleaning)
- Hot water (hot water cleaning)
- Pressured air (automatic movement of cleaning heads and collecting tanks)
- Steam (steam cycle)
- Power 380V, 50Hz

Technical data

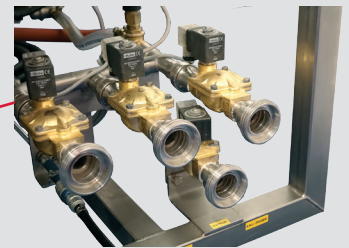
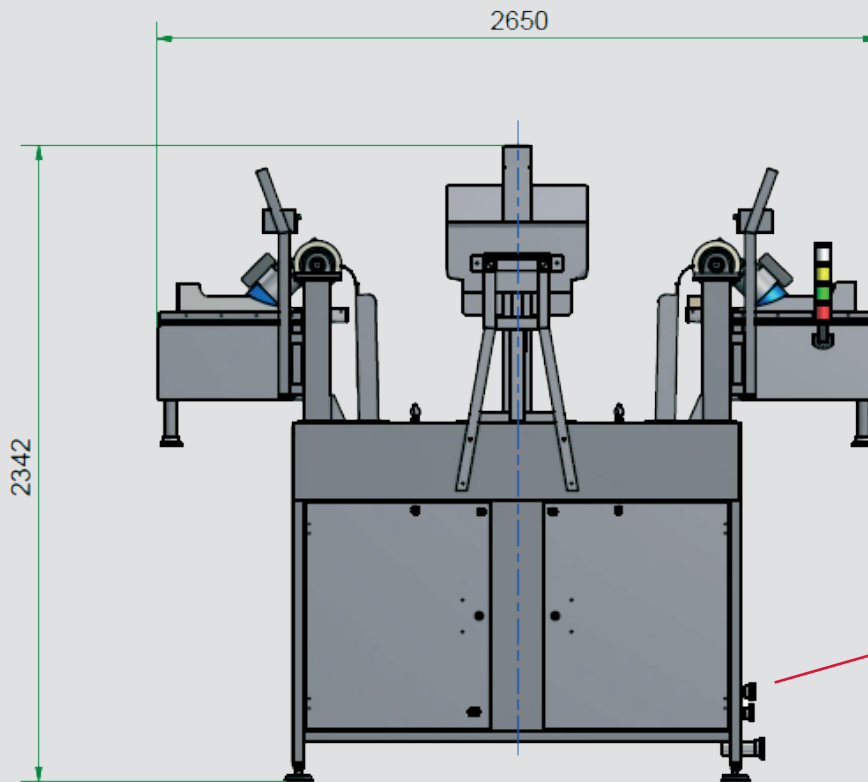
For barrels	l	225 - 300
Working pressure integrated pump	psi	1450
Water flow rate integrated pump	gpm	5.54
Water inlet temp. max.	°F	140
Power supply	VAC	380
Current drain	kW	8
Weight	lb	1200

Water, air and steam requirements

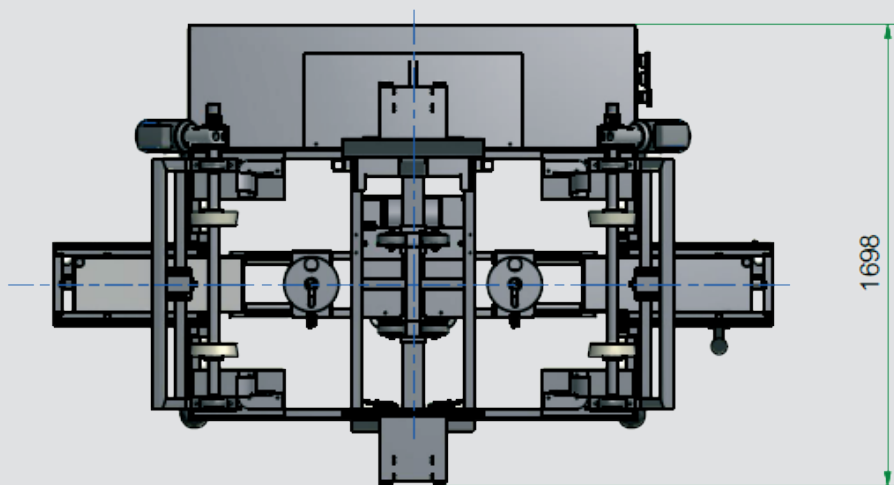
Cold water inlet	psi	~43	gpm	5.54 - 7.92
Hot water inlet	psi	~43	gpm	5.54 - 7.92
Inlet coupling cold and hot water		DIN 32 F		
Pressured air inlet	psi	87 - 116		
Pressured air consumption /cycle	litres	70		
Waste water drain outlet		DIN 50 F		
Steam inlet	psi	14.5 - 36	kg/h	35
Inlet coupling steam		DIN 32 F		



FR2 Automatic



Cold and hot water inlet
Steam inlet



Measurements in Milimeters