

CREATING A CULTURE OF CLEAN™



MOOG
CLEANING SYSTEMS 



Barrel and tank cleaners



Swash Sanitizing Equipment • www.swashequipment.com • info@arsenterprises.com • (800) 735-9277



Barrel cleaners BRA

Handheld unit, which cleans the inside of the barrel and siphons off the wash water at the same time. The built-in high-pressure injector system creates a very strong vacuum, which sucks the barrel empty during and after the cleaning process.



- Integrated suction system for wash water
- Effective 360° interior cleaning
- Bunghole up washing
- Electric or hydraulic motors
- For barrels with bunghole >1.45" Diam.
- For use with pressure washer (3.4 gpm, min.)

Unstacked barrels

Choose:

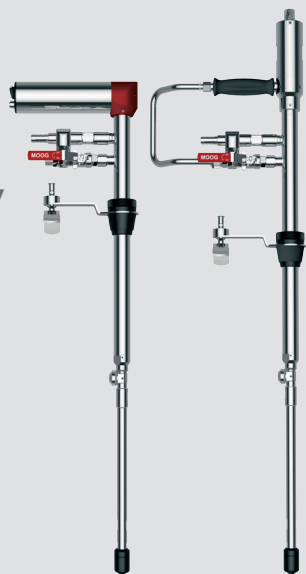
BRA Standard
electric drive 120/240V

or

BRA HD
hydraulic drive



For barrel sizes
225/228/300 - 600 L.



BRA Standard BRA HD

Stacked barrels

Choose:

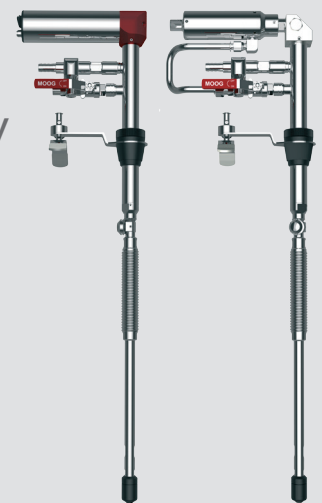
BRA Flex
electric drive 120/240V

or

BRA HD Flex
hydraulic drive



For barrel sizes
225/228 L.



BRA Flex BRA HD Flex



Barrel cleaner BRM

Barrel cleaner for cleaning barrels on a rack. The spray head is inserted into the bung hole from below. The dirty water runs out again through the bung hole. The spray head is hydraulically powered for a very convenient and safe cleaning process.



- Cleans barrels stored on racks
- Bung hole down washing
- Hydraulic powered spray head
- Easy insertion into bung hole
- For use with pressure washer (2.6 gpm, min.)

FR2 Automatic

Automatic barrel cleaner for the simultaneous cleaning of two barrels (225/228/300 L.) on a rack. Load the barrels using a forklift, press the Start button - the rest is automatic.

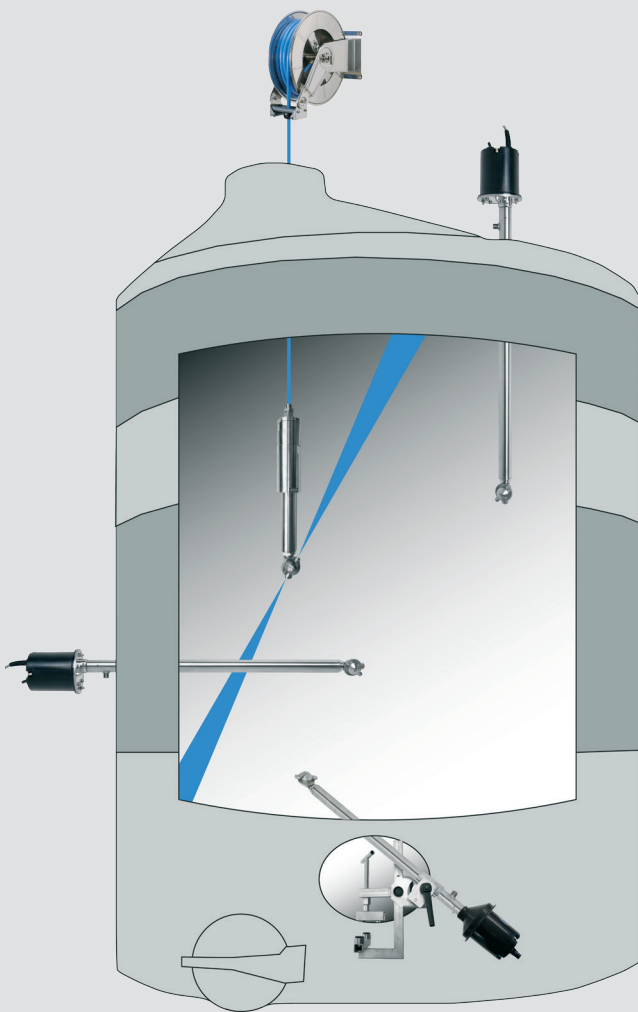
- Automatic rotation of the barrels, bung hole detection and insertion of the cleaning heads
- Use cold/hot water and steam
- Fully programmable, touch screen
- Integrated high pressure pump





Tank cleaners

Three-dimensional rotating spray heads: The most efficient, effective and economical internal cleaning of your tanks.



- Dual axial, 360° rotational spray head
- Wash pressure up to 3600 psig
- Low water consumption
- Electric, hydraulic or compressed air drives
- Stainless steel construction
- Extraordinary Swiss-made quality



Tank cleaners work with a three-dimensionally rotating spray head, which is driven by a water-powered hydraulic, electric or air-powered motor.

The 360-degree spray pattern ensures an effective and economical cleaning of the entire inner surface of the container.

The tank cleaners can be operated with any standard pressure washer or a stationary high-pressure pump.

